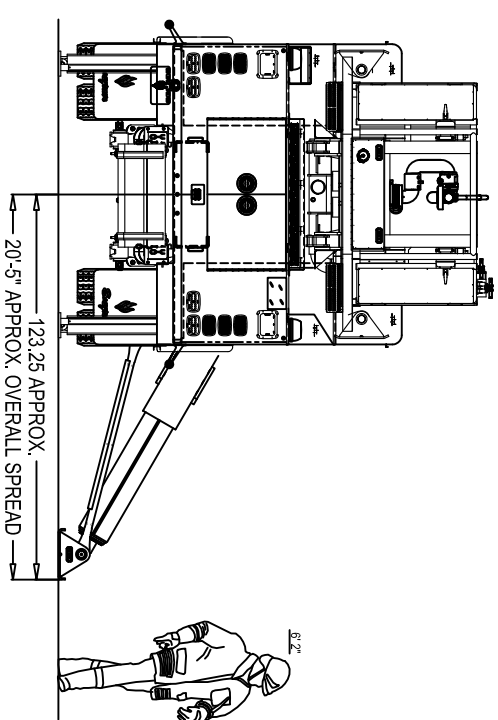


**FWD**  
*Seagrave*  
 FWD SEAGRAVE HOLDINGS, LP / 105 EAST 12TH STREET  
 CLINTONVILLE, WI 54929  
 SUFFERN HOOK & LADDER CO.#1  
 SUFFERN, NEW YORK

PREPARED BY: JDG DATE: 03-21-2024 MODEL: TV7HCT  
 CAB: MARAUDER 141 FRONT AXLE: DANA D2200 / 24K / DISC  
 ENGINE: CUMMINS X12 525HP REAR AXLE: DANA D / R80-190 / 62K / S-CAM  
 PUMP: WATEROUS S100D 2000 GPM (SINGLE STAGE) FRONT TIRES: M / 425 / 65R22.5 / XZY3  
 BODY: #3CR12 SIS - A595 QUINT REAR TIRES: M / 315 / 80R22.5 / XDN2 GRIP  
 WATER TANK: 300 GALLONS / R (UPF) AERIAL: 95 AERIALSCOPE

- LADDER & PIKE POLE COMPARTMENT INFORMATION:
- ALCO-LITE #PEL-35 35' 2-SECTION LADDERS
  - (2) ALCO-LITE #PEL-24 24' 2-SECTION LADDERS
  - (2) ALCO-LITE #PRL-16 16' ROOF LADDER
  - ALCO-LITE #FL-10 10' ROOF LADDER
  - DUO-SAFETY #775-DR 8' ROOF LADDER (SIDE BAY)
  - DUO-SAFETY #875-DR 20' ROOF LADDER (SIDE BAY)
  - (4) ALUMINUM PIKE POLE TUBES (IN LADDER BAY)



ALL DIMENSIONS ARE MEASURED IN INCHES, UNLESS OTHERWISE NOTED.  
 THIS DRAWING IS FOR REFERENCE OF CONFIGURATION; MINOR DETAILS MAY NOT BE SHOWN. DIMENSIONS SHOWN ARE APPROXIMATE AND SUBJECT TO CHANGE. THE SALES ORDER AND APPROVED SALES ORDER CHANGES WILL PREVAIL, WHERE DISCREPANCIES EXIST.

PRELIMINARY DRAWING F3697  
 THE INDICATED VEHICLE HEIGHT REPRESENTS A CALCULATED DIMENSION. ACTUAL SHIPPED HEIGHT MAY VARY.  
 THE HOSE CAPACITY IS A CALCULATED AMOUNT. ACTUAL CAPACITY MAY VARY DEPENDING ON VENDOR OF THE HOSE.

INTERNAL SALES REPRESENTATIVE SIGNATURE OF APPROVAL SIG. DATE

**JAMIE DE GROOT** **07-16-2024**

REV.	DATE	DESCRIPTION	REV. BY
-	03-21-2024	PER QW #10209-0034	JDG
1	04-03-2024	PER QW #10209-0042	JDG
2	07-16-2024	PER QW #10209-0044	JDG

FWD SEAGRAVE HOLDINGS, LP, ITS SUBSIDIARIES, SUCCESSORS AND/OR ASSIGNS (COLLECTIVELY "FWD SEAGRAVE") OWNS PROPRIETARY RIGHTS IN AND TO THIS DRAWING AND INFORMATION CONTAINED THEREIN. THIS DRAWING IS CONFIDENTIAL AND SHOULD NOT BE USED OR REPRODUCED FOR ANY PURPOSE WITHOUT THE WRITTEN CONSENT OF FWD SEAGRAVE.